

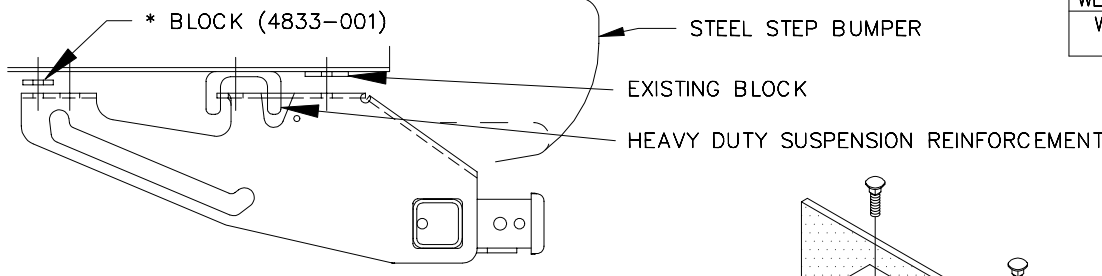
# INSTALLATION INSTRUCTIONS

VEHICLE	HITCH NO.
CHEVROLET/GMC FULL SIZE PICKUPS (ALL MODELS)	75033

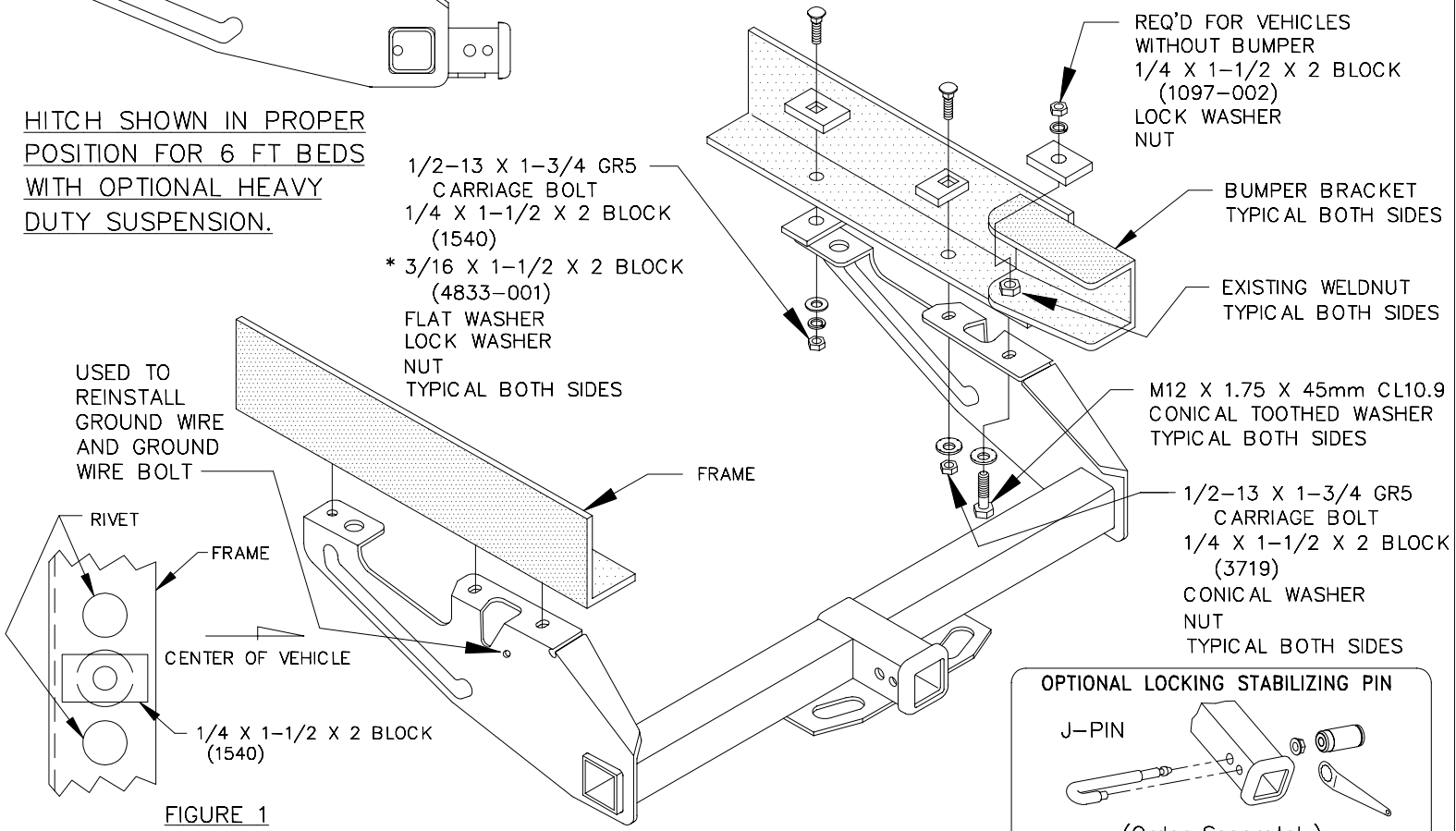
EQUIPMENT REQUIRED:  
**WIRING ACCESS LOCATION:** PU3  
**DRILL BITS:** NONE  
**HITCH REQUIRES 5/8" PIN AND CLIP IF STABILIZING PIN IS NOT INSTALLED.**  
**WRENCHES:** (TIGHTEN ALL FASTENERS WITH TORQUE WRENCH) 7/8, 13mm, 18mm, 19mm

DO NOT EXCEED LOWER OF TOWING VEHICLE MFR'S RATINGS OR

HITCH TYPE ▼	MAX GROSS TRLR WT(LB)	MAX TONGUE WT(LB)
WEIGHT DISTRIBUTING	8,000	800
WEIGHT CARRYING BALL MOUNT	5000	500



HITCH SHOWN IN PROPER POSITION FOR 6 FT BEDS WITH OPTIONAL HEAVY DUTY SUSPENSION.



\* ONLY USED ON 6 FT BEDS WITH HEAVY DUTY SUSPENSION.

**NOTE:** ON VEHICLES WITHOUT FACTORY BUMPER, IT WILL BE NECESSARY TO RELOCATE LICENSE PLATE MOUNTING BRACKET.

1. REMOVE AND DISCARD M12 HEX BOLTS FROM END OF EACH FRAME RAIL IF PRESENT.
2. REMOVE GROUND WIRE AND GROUND WIRE BOLT, IF PRESENT, ON DRIVER'S SIDE FRAME RAIL.
3. LIFT RECEIVER INTO POSITION, LOCATING SLOTS IN RECEIVER OVER WELDNUTS IN VEHICLE FRAME. NOTE: FOR VEHICLES W/O BUMPER, LOCATE SLOTS IN RECEIVER OVER FORE/AFT SLOT NEAR END OF FRAME.
4. INSTALL M12 HEX BOLT (SUPPLIED) AND TOOTHED WASHER THROUGH RECEIVER INTO WELDNUT IN VEHICLE FRAME. NOTE: SEE ILLUSTRATION FOR PLACEMENT OF FASTENERS ON VEHICLES W/O BUMPER.
5. INSTALL REMAINING FASTENERS AS SHOWN.
6. REINSTALL GROUND WIRE AND GROUND WIRE BOLT TO HOLE IN SIDE OF SIDE BRACKET.

**NOTE:** ON 6' BED MODELS, 1/4 X 1-1/2 X 2 BLOCK (1540) LOCATED AT FORWARD-MOST ATTACHMENT ON DRIVER'S SIDE MAY BE ORIENTED AS SHOWN IN FIGURE 1, IF NECESSARY, TO INSURE CLEARANCE OF RIVETS. BLOCK MUST SIT FLAT ON FRAME.

TIGHTEN M12 CL10.9 FASTENERS TO 75 LB.-FT.  
 TIGHTEN 1/2-13 GR5 (COARSE THREAD) FASTENERS TO 75 LB.-FT.

THIS PRODUCT COMPLIES WITH SAFETY SPECIFICATIONS AND REQUIREMENTS FOR CONNECTING DEVICES AND TOWING SYSTEMS OF THE STATE OF NEW YORK AND V.E.S.C. REGULATION V-5.

APPROX WEIGHT (LB.)	49	FASTENER KIT NO.	F75033
---------------------	----	------------------	--------

**NOTE:** Check hitch frequently, making sure all fasteners and ball are properly tightened. If hitch is removed, plug all holes in trunk pan or other body panels to prevent entry of water and exhaust fumes. A hitch or ball which has been damaged should be removed and replaced. Observe safety precautions when working beneath a vehicle and wear eye protection. Follow car maker's specs for maximum trailer weight and tongue weight. Do not cut access or attachment holes with a torch.

